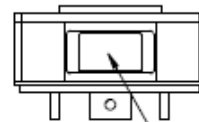
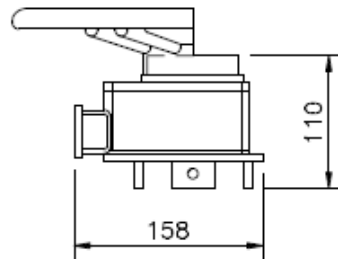
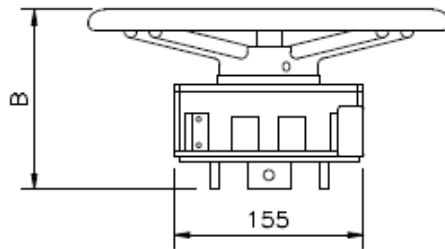
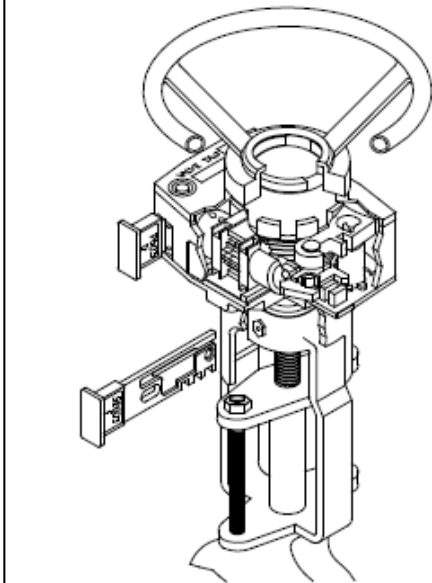
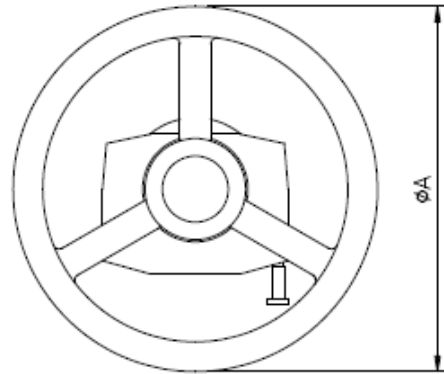
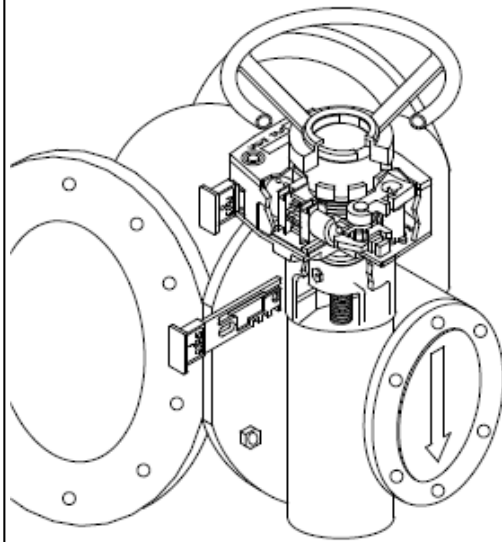
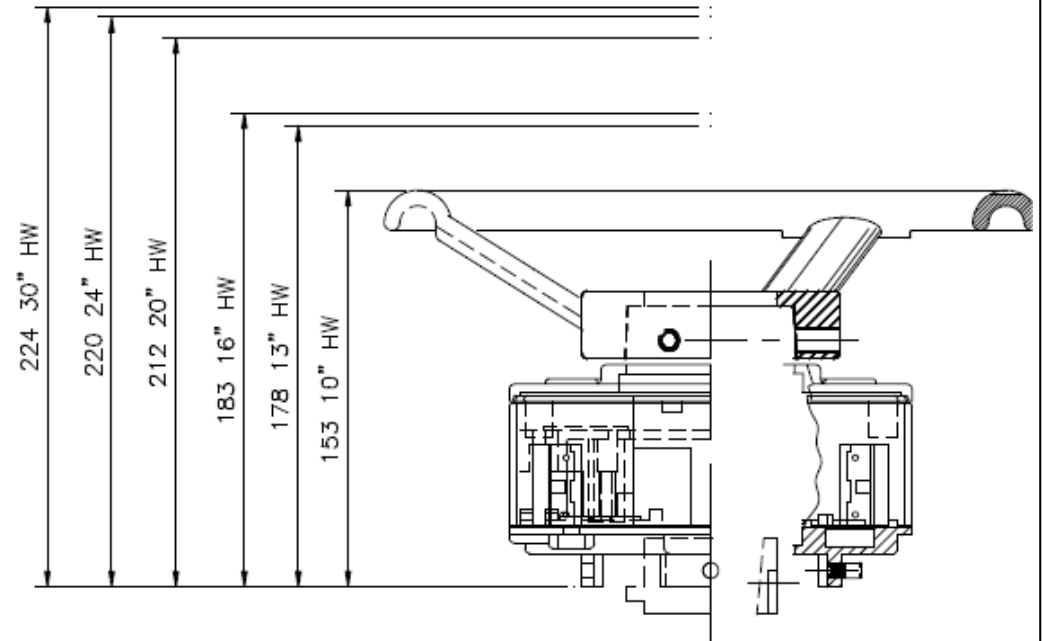


B	153-224	▲
A	250-760 ( 10" - 30" )	▲
REF	GLM	
DIMENSIONS		



ID Name plate



**SMITH**  
FLOW CONTROL LTD

GLM General Arrangement