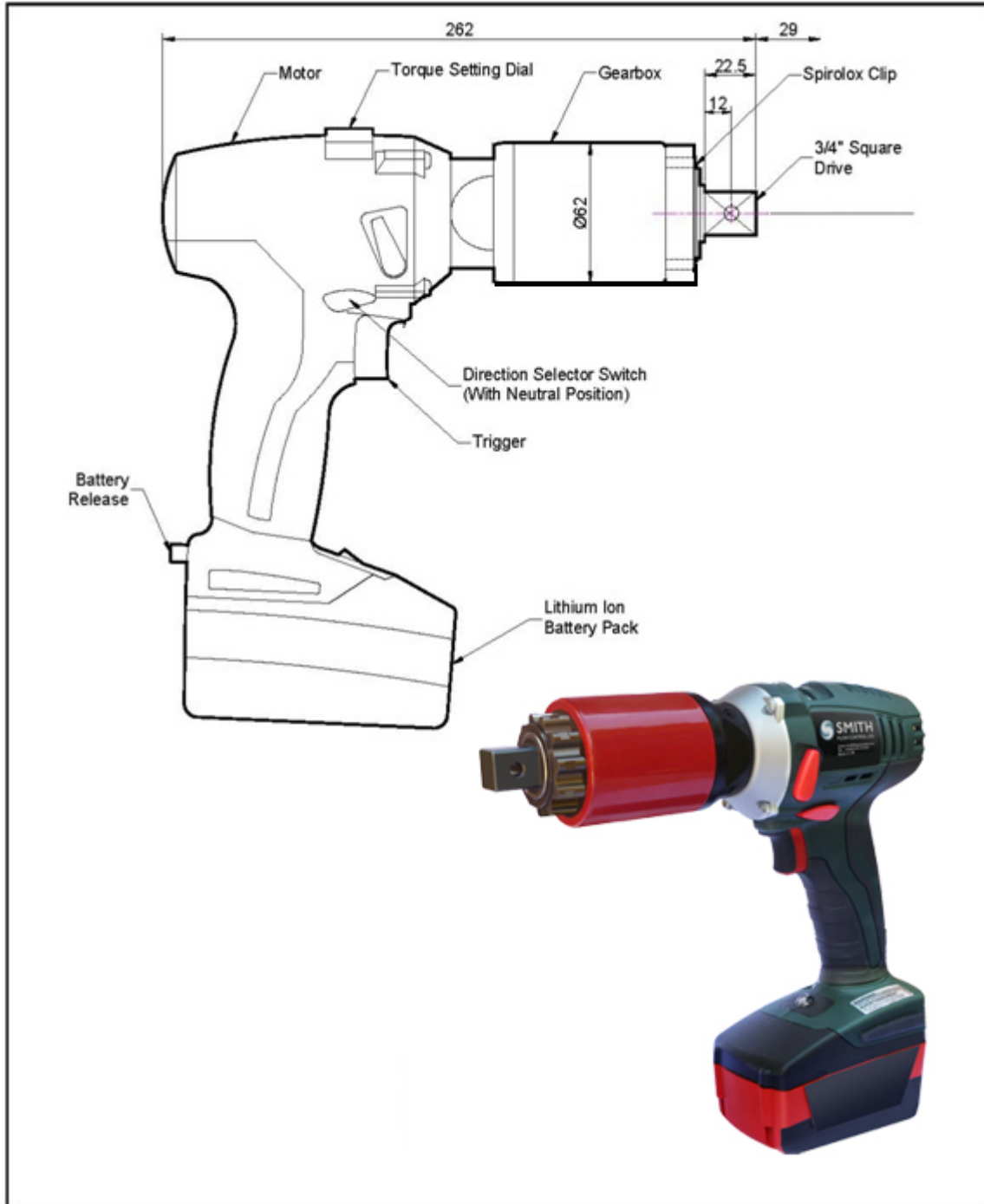




SMITH
FLOW CONTROL LTD



SFC EDB 5 Battery Torque Tool – Technical Data



DESCRIPTION

The SFC-EDB 5 Battery Torque Tool is a hand held, non-impacting battery driven power tool designed to apply torque and safely manage valve operations.

Torque is controlled by adjusting the torque setting dial and viewing the setting on the selection scale. Corresponding pressure settings and torques are determined using a Calibration Certificate.

The SFC-EDB 5 must always be operated with the following:-

- Lithium Ion Battery Pack (Supplied)
- Battery Charger (Supplied)
- Reaction Kit

SPECIFICATION

Output Square Drive (Male):	3/4" (19.05mm)
Direction:	Forward & Reverse
Torque Accuracy:	+/- 10%
Minimum Output Torque:	150 Nm (66 lbf.ft)
Maximum Output Torque:	475 Nm (369 lbf.ft)
Speed:	10 rpm (Single)
Battery Charger Temp Range:	0°C To 50°C
Battery Charger Voltage:	110V or 240V (dependent on model purchased)
Noise:	Less than 85 dB(A)
Vibration:	Vibration level at handle does not exceed 2.5m/sec (Low)
Tool Weight:	3.8 Kg (8.38 lbs)

ACCESSORIES AVAILABLE

The following accessories are available upon request and can be custom made to suit requirements. Please contact Smith Flow Control Limited for more information:-

- Spare Lithium Ion Battery Packs
- Reaction Kit
- Offset Gearbox

