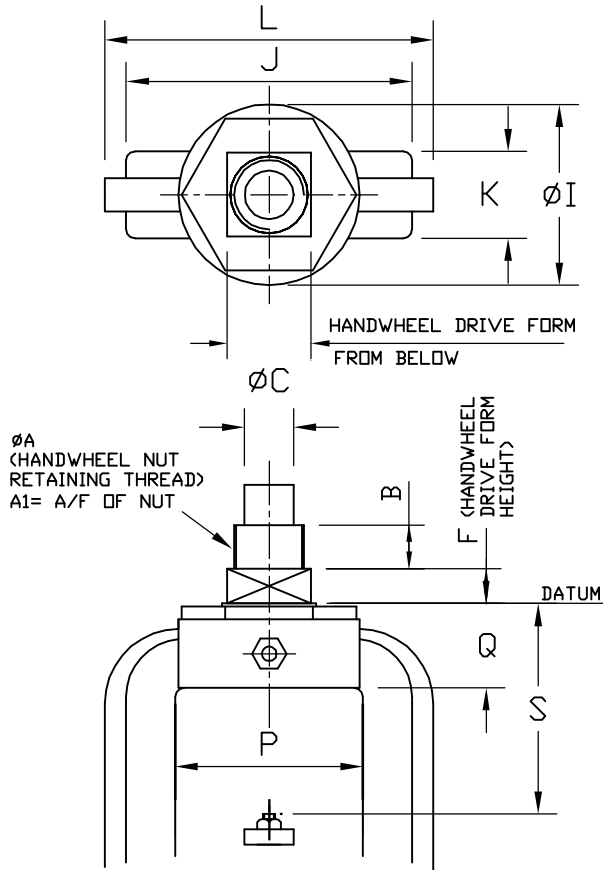


	<p>PREFERRED 'POWER' SUPPLY</p> <p>a) PNEUMATIC <input type="checkbox"/></p> <p>b) ELECTRIC <input type="checkbox"/></p> <p>c) HYDRAULIC <input type="checkbox"/></p> <p>SITE SUPPLY ?</p> <p>PNEUMATIC AIR SUPPLY PRESSURE PSI/BAR ?</p> <p>-----</p> <p>ELECTRICAL SUPPLY RATING 110/240V ?</p> <p>-----</p> <p>HYDRAULIC SUPPLY PRESSURE PSI/BAR ?</p> <p>-----</p>	<p>DATE</p> <hr/> <p>DRN</p> <hr/> <p>MAKE</p> <hr/> <p>BORE</p> <hr/> <p>RATING</p> <hr/> <p>H/W DIA.</p> <hr/> <p>TAG No.</p>
--	--	---

<p>A=.....</p> <p>B=.....</p> <p>C=.....</p> <p>D=.....</p> <p>E=.....</p> <p>F=.....</p> <p>G=.....</p> <p>H=.....</p> <p>AA=.....</p> <p>X=.....</p> <p>Y=.....</p> <p>Z=.....</p>	<p>HANDWHEEL DRIVE FORM</p>	<p><u>NOTES</u></p>
<p>PLEASE INDICATE ORIENTATION WHEN INSTALLED.</p>		
<p>VALVE BREAKOUT TORQUE.....</p> <p>VALVE RUN TORQUE.....</p> <p>VALVE RESEAT TORQUE.....</p>		

<p>U:\D.s\easy-drive\logo1.JPG</p>	<p>Tel: 01376 517901 Fax: 01376 518720 email: sales@smithflowcontrol.com</p>	<p>JOB No</p> <hr/> <p>SITE</p>	<p>QTY</p>
<p>This drawing is the property of SMITH FLOW CONTROL Ltd &amp; must not be used in any way prejudicial to their interests</p>			<p>This drawing is computer generated &amp; should not be manually modified in any way.</p>
<p>TITLE</p> <p style="text-align: center; font-weight: bold;">SPUR GEAR FILL IN SHEET</p>			<p>DRAWING No</p>

$\phi A =$  .....  
 $A1 =$  .....  
 $B =$  .....  
 $\phi C =$  .....  
 $F =$  .....  
 $\phi I =$  .....  
 $J =$  .....  
 $K =$  .....  
 $L =$  .....  
 $M =$  .....  
 $P =$  .....  
 $Q =$  .....  
 $S =$  .....  
 $W =$  .....  
 $X =$  .....  
 $Y =$  .....  
 $Z =$  .....  
 $AA =$  .....  
 $BB =$  .....  
 $CC =$  .....



PREFERRED 'POWER' SUPPLY  
 a) PNEUMATIC   
 b) ELECTRIC   
 c) HYDRAULIC

SITE SUPPLY ?  
 PNEUMATIC AIR SUPPLY PRESSURE PSI/BAR ?  
 -----

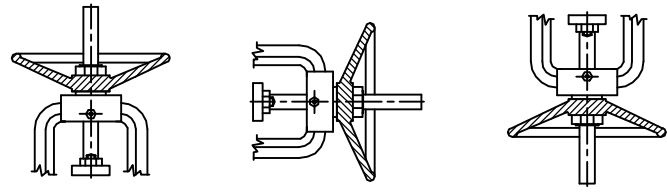
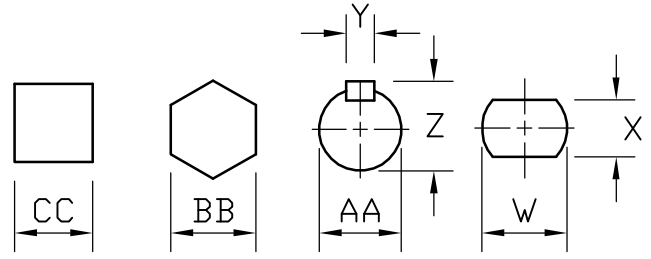
ELECTRICAL SUPPLY RATING 110/240V ?  
 -----

HYDRAULIC SUPPLY PRESSURE PSI/BAR ?  
 -----

DATE  
 DRN  
 MAKE  
 BORE  
 RATING  
 H/W DIA.  
 TAG No.

HANDWHEEL DRIVE FORM

NOTES



PLEASE INDICATE ORIENTATION WHEN INSTALLED.

VALVE BREAKOUT TORQUE.....  
 VALVE RUN TORQUE.....  
 VALVE RESEAT TORQUE.....

U:\D.s\easy-drive\logo1.JPG



Tel: 01376 517901 Fax: 01376 518720  
 email: sales@smithflowcontrol.com

JOB No QTY

SITE

This drawing is the property of SMITH FLOW CONTROL Ltd & must not be used in any way prejudicial to their interests

This is drawing is computer generated & should not be manually modified in any way.

TITLE  
 GATE VALVE FILL IN SHEET

DRAWING No