

DOC00003 A



SMITH FLOW CONTROL Ltd
GLOBE VALVE FILL-IN SHEET



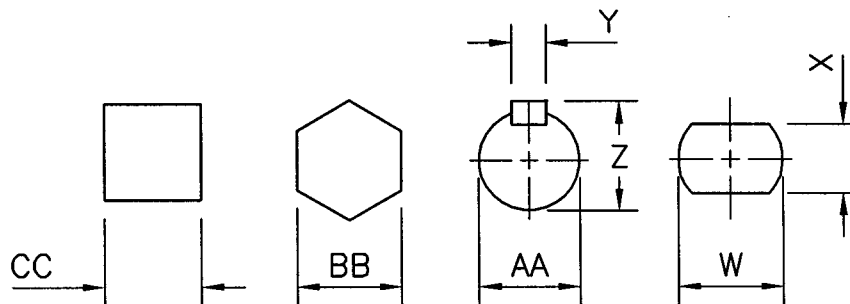
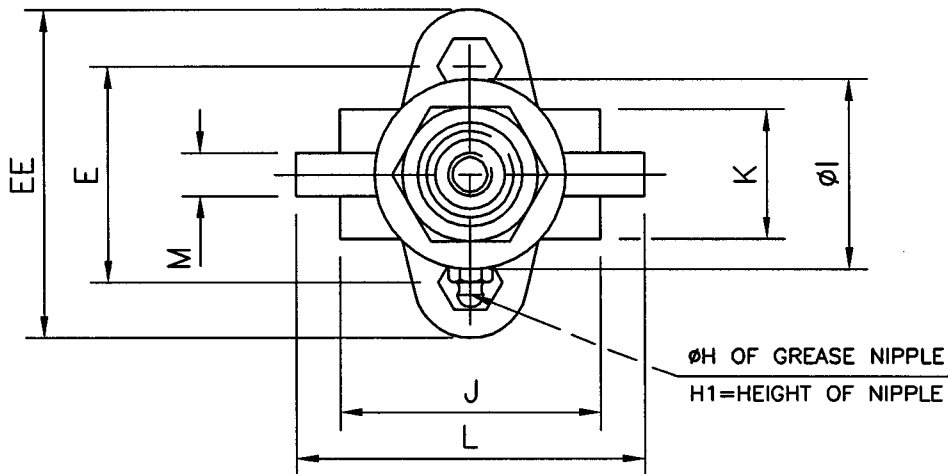
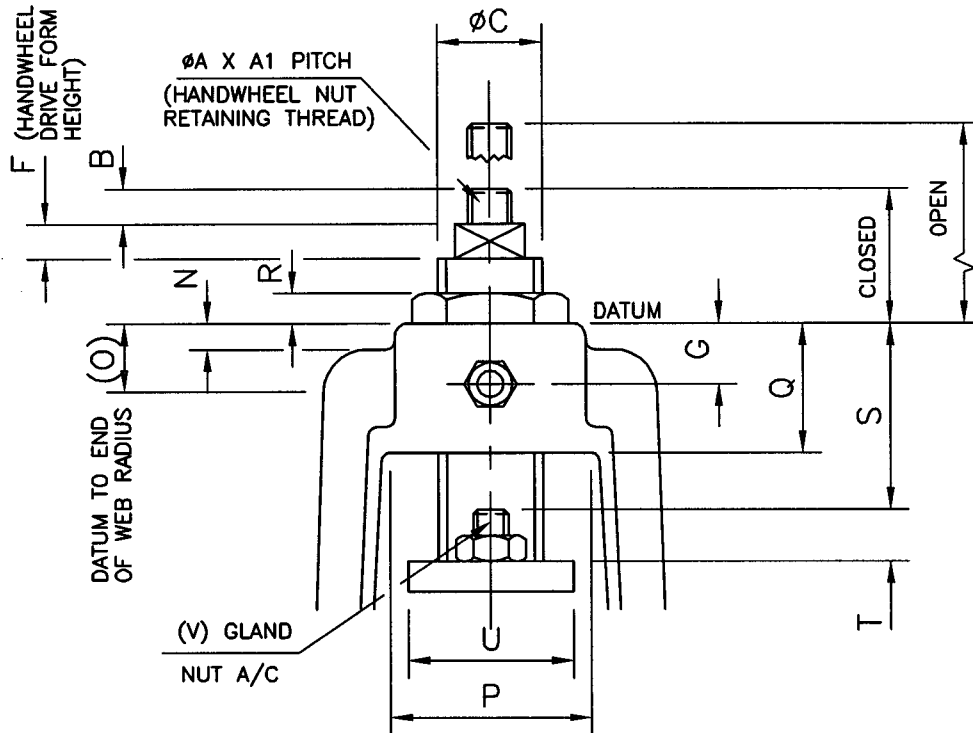
6 Waterside Business Park
Eastways Industrial Estate
Witham
Essex, CM8 3YQ

Tel: +44(0)1376 517901
Fax: +44(0)1376 518720

SITE: -

JOB No

- øA=.....
- A1=.....
- B =.....
- øC=.....
- E =.....
- F =.....
- G =.....
- øH=.....
- H1=.....
- øI=.....
- J =.....
- K =.....
- L =.....
- M =.....
- N =.....
- (O)=.....
- P =.....
- Q =.....
- R =.....
- S =.....
- T =.....
- U =.....
- (V)=.....
- W =.....
- X =.....
- Y =.....
- Z =.....
- AA=.....
- BB=.....
- CC=.....
- EE=.....



HANDWHEEL DRIVE FORM

NOTES:-

OPEN=.....
CLOSED=.....

DATE

DRN

MAKE

SIZE

BORE

RATING

H/W DIA.

No. TURNS

TAG No.

DRAWING No