



SMITH FLOW CONTROL Ltd
SITE SURVEY

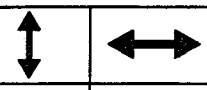
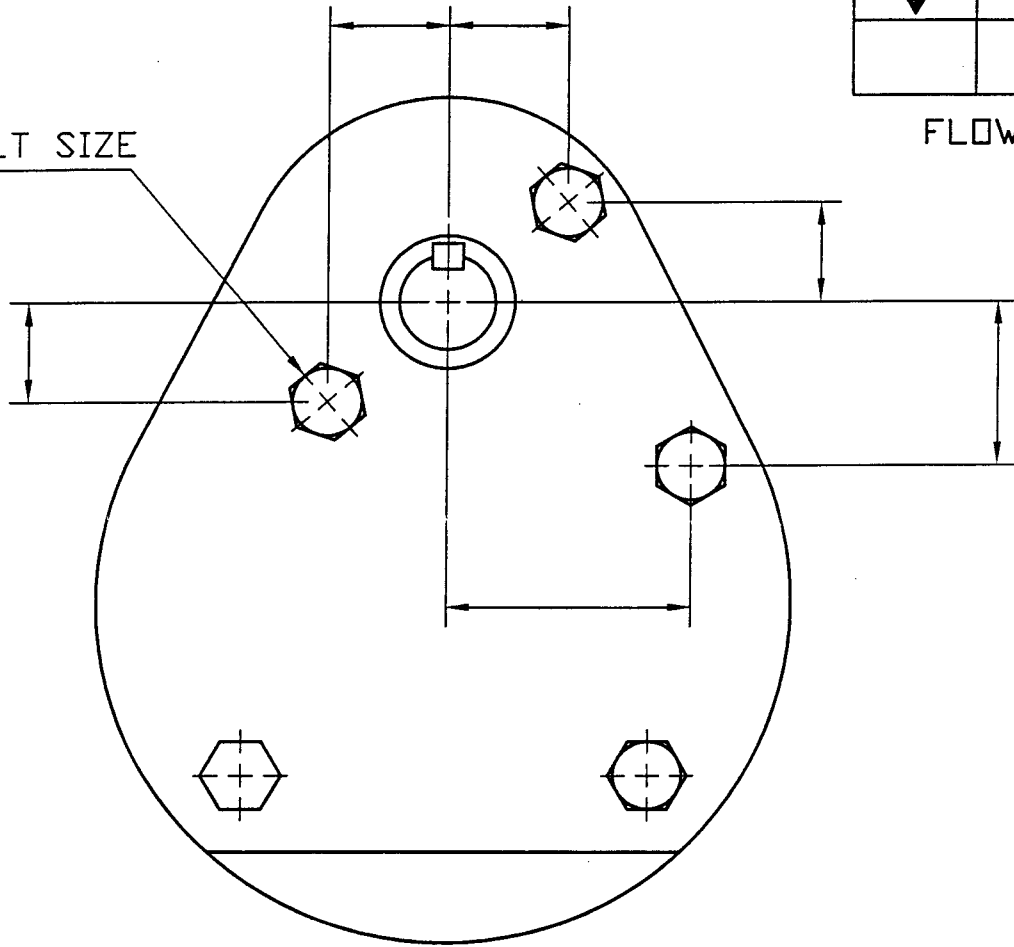
TEL 0376 517901
FAX 0376 518720

SITE:-

JOB No

DATE

BOLT SIZE



FLOW

DRN

MAKE

TYPE

G/BOX MAKE & MODEL

BORE

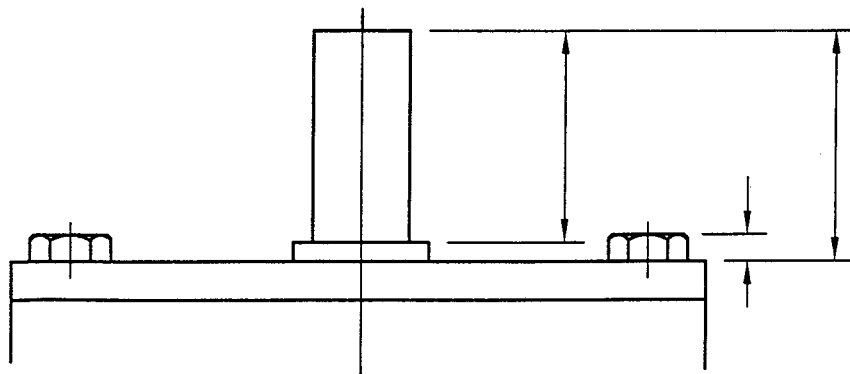
RATING

H/W

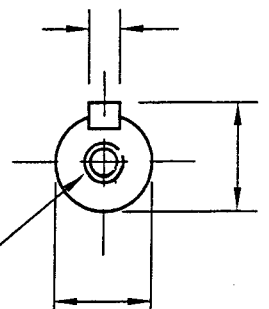
LEVER 'L'

No TURNS

TAG No



SIZE & DEPTH OF TAPPED HOLE



NOTES:-

No OF TURNS REQUIRED

DRAWING No